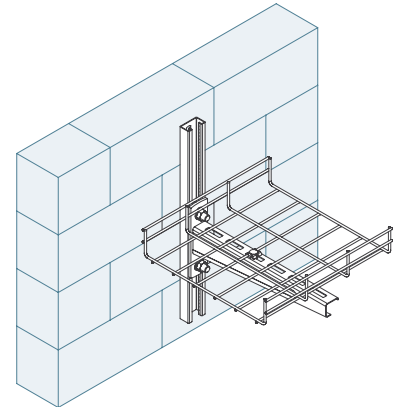


NEW
NEW
NEW
NEW
NEW
56S

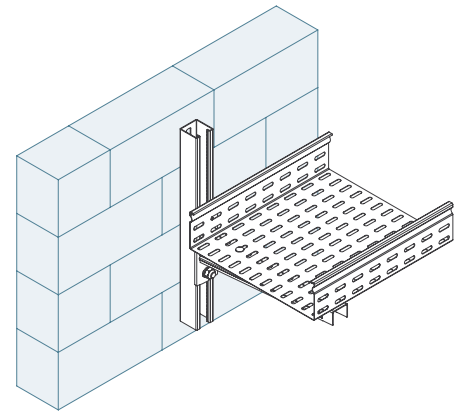
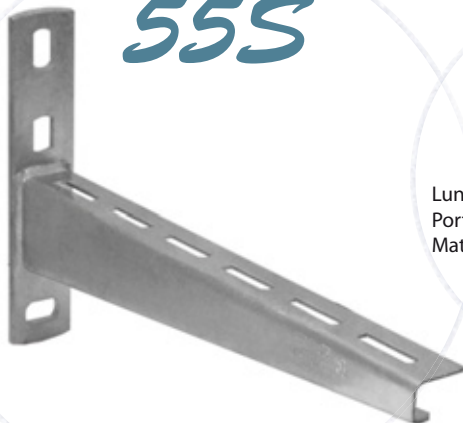
**Mensola / Bracket
56S-100 UNI-BAND**

Lunghezza/ Length 50÷600 mm
Portata/ Load capacity 100 daN
Materiale/ Material E / Z / V / J / N

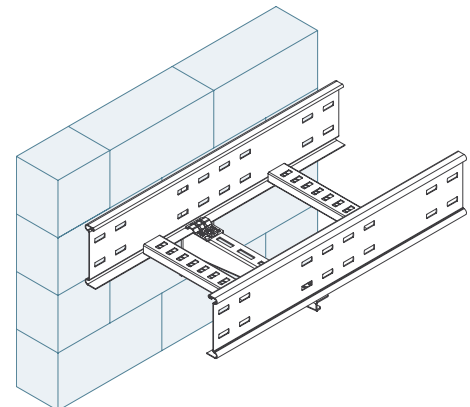

57S

**Mensola / Bracket
57S-200 BI-BAND**

Lunghezza/ Length 50÷600 mm
Portata/ Load capacity 200 daN
Materiale/ Material E / Z / V / J / N


55S

**Mensola A2 / Bracket A2
55S-200**

Lunghezza/ Length 200÷1000 mm
Portata/ Load capacity 200 daN
Materiale/ Material E / Z / V / J / N


E Zincato Elettrolitico
Electrolytic galvanized

Z Zincato a caldo dopo lavorazione
Hot-dip galv. after manufacture

I Acciaio Inox AISI 304
AISI 304 Stainless steel

J A. Inox AISI 304 decont.
Decont. AISI 304 S. steel

A Lega di alluminio
Aluminium alloy

S Zincato Sendzimir
Sendzimir galvanized

V Zinc. Send. e Vern. RAL5012
Pre-Galv. and paint. RAL5012

Y Acciaio Inox AISI 316L
AISI 316L Stainless steel

N A. Inox AISI 316L decont.
Decont. AISI 316L S. steel

W Zinc. a caldo e Vern. RAL5012
Hot-dip Galv. and paint. RAL5012

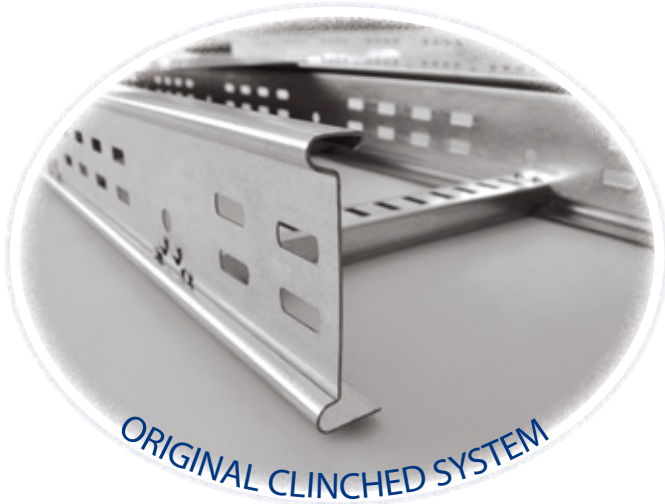

NEW

NEW

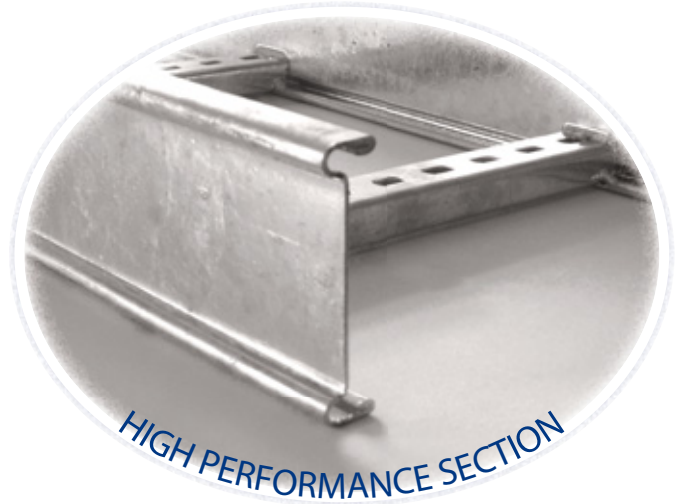
NEW

NEW

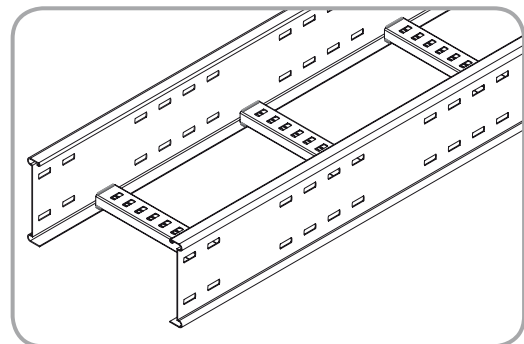
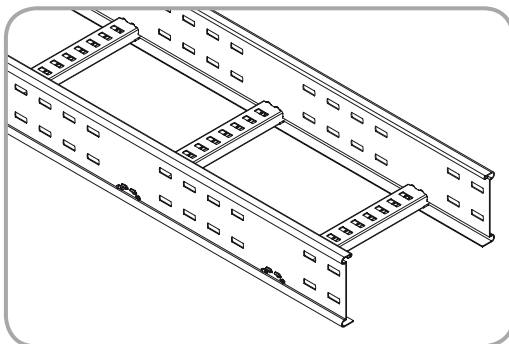
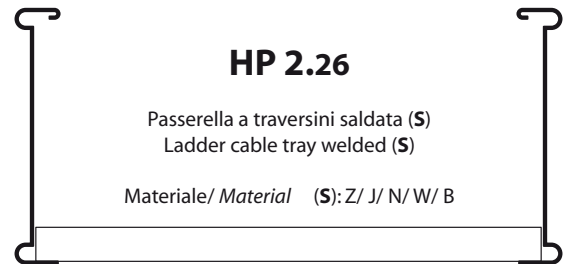
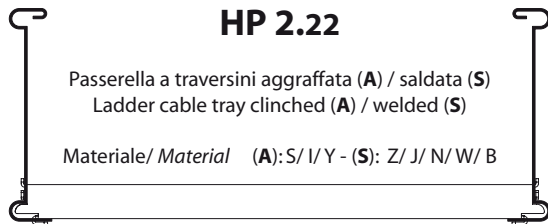
NEW



ORIGINAL CLINCHED SYSTEM



HIGH PERFORMANCE SECTION



S Zincato Sendzimir Sendzimir galvanized	I Acciaio Inox AISI 304 AISI 304 Stainless steel	V Zinc. Send. e Vern. RAL5012 Pre-Galv. and paint. RAL5012	J A. Inox AISI 304 decont. Decont. AISI 304 S. steel	A Lega di alluminio Aluminium alloy
Z Zincato a caldo dopo lavorazione Hot-dip galv. after manufacture	Y Acciaio Inox AISI 316L AISI 316L Stainless steel	W Zinc. a caldo e Vern. RAL5012 Hot-dip Galv. and paint. RAL5012	N A. Inox AISI 316L decont. Decont. AISI 316L S. steel	B Lega di alluminio anodizzato Anodized aluminium alloy